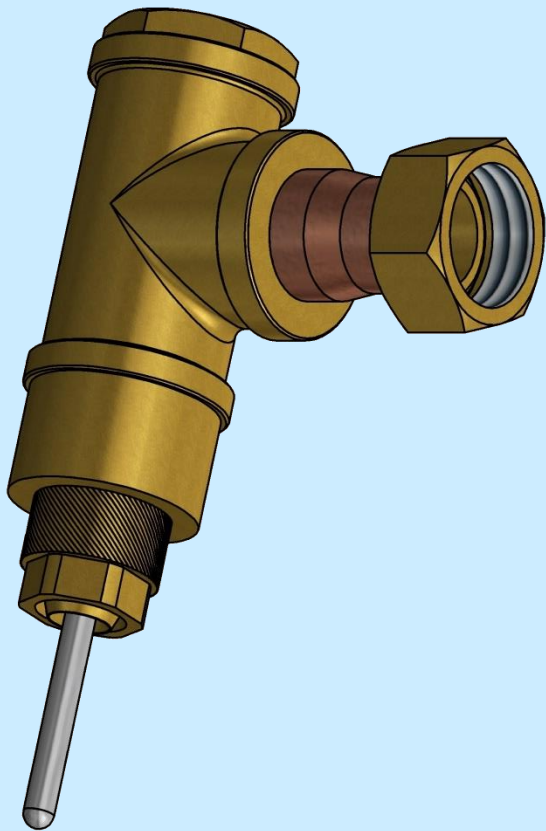


# OA 02 / RS3021CJ KIT

Order No: 3195 9008

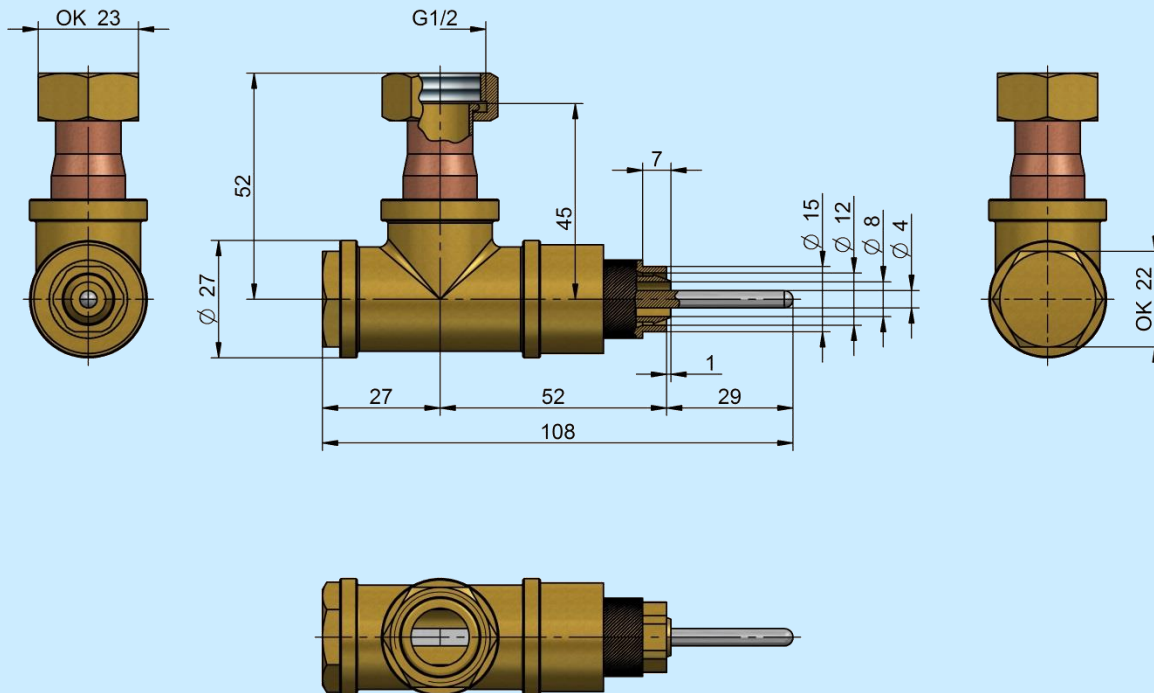


## Description

Sacrificial anodes are used for cathodic protection of electron tube cooling circuit. It helps to extend anode and water jacket lifetime.

Materials	Qty, g
Copper	38
Brass	155,3
Bronze	41
Titanium	5,7
	<b>240</b>

Set consists of*:	Qty, pcs
Sacrificial anode	2
PFTE hose	2
Sealing	2
* For detailed information please contact our sales department	



\*\*all dimensions are in mm.