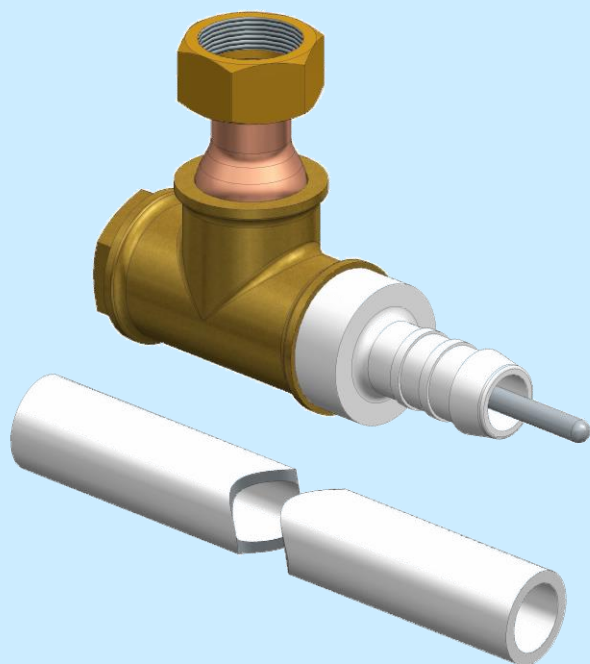


# OA 03 / RS2048CJ KIT

Order No: 3264 9104



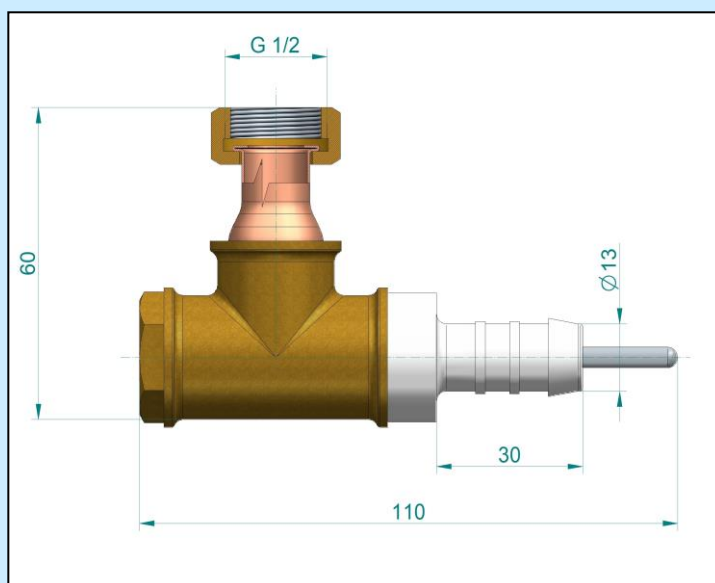
## Description

Sacrificial anodes are used for cathodic protection of electron tube cooling circuit. It helps to extend anode and water jacket lifetime.

Materials	Qty, g
Copper	38
Brass	155,3
Bronze	41
Titanium	5,7
Tech. plastic / rubber	200
	<b>540</b>

Set consists of*:	Qty, pcs
Sacrificial anode	2
Hose (40 cm)	2
Sealing	2
Clamp	4

\* For detailed information please contact our sales department



\*\*all dimensions are in mm.