

RD17XMF / ITL15-2

Air-cooled power triode

Output power: 45 kW



TESLA
Electron**Tubes**



RD17XMF is air-cooled triode, made by metal-ceramic technology. This electron tube is intended for industrial generators up to 120 MHz. Application – RF heating, welding or gluing.

Maximum plate dissipation can be 17 kW. Output power is 45 kW in CW mode.

For operation in pulse mode, the parameters depends on equipment characteristics. Contact us for specific information.

RD17XMF / ITL15-2

Air-cooled power triode

Output power: 45 kW



Technical specifications

Cathode	WTh	
Filament voltage	7.2	V
Filament current	180	A
Amplification factor	25	
Transconductance	60	mA/V
Capacitance		
• grid-anode	25	pF
• grid-cathode	60	pF
• cathode-anode	1.4	pF

Maximum ratings

Frequency	120	MHz
Anode voltage		
• < 30 MHz	13	kV
• ≥ 30 MHz	9-7	kV
Grid voltage	-1500	V
Grid current	1.6	A
Grid dissipation	600	W
Anode dissipation	17	kW
Peak cathode current	40	A

Mechanical characteristics and cooling

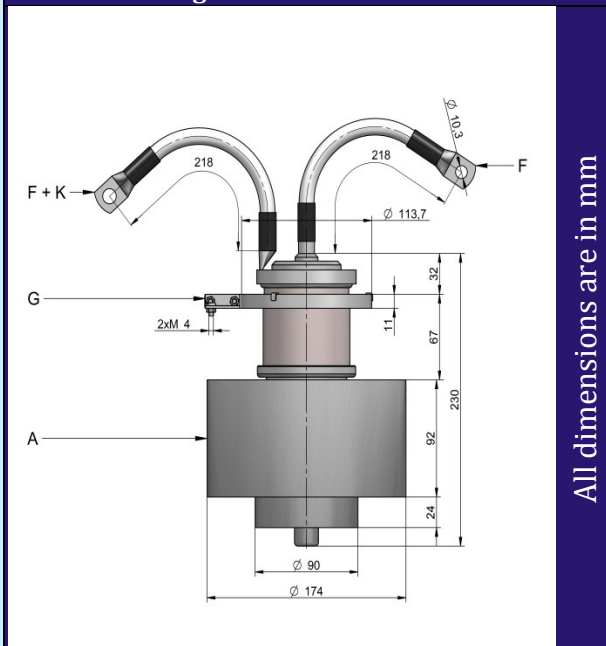
Anode cooling	air	
Air inlet temperature	45	°C
Temperature (any point of envelope)	220	°C
Air outlet temperature	75	°C
Air flow	9	m ³ /min
Mounting position	vertical	
Weight	9	kg

Additional accessories*

- Grid contact ring

*for detailed information please contact our sales department

Outline drawing



Constant current characteristics

